

APPENDIX B

CONSTRUCTION DETAILS

EXHIBIT 1	TYPICAL ROADWAY CROSS SECTION
EXHIBIT 2	TYPICAL LEDGE CUT SECTION
EXHIBIT 3	SETTING GRANITE CURBING
EXHIBIT 4	SETTING GRANITE CURB INLET
EXHIBIT 5	DRIVEWAY/SIDEWALK DETAIL
EXHIBIT 6	REMOVED 2-27-03
EXHIBIT 7	TYPICAL PIPE INSTALLATION IN MANHOLE
EXHIBIT 8	TYPICAL DRAIN MANHOLE
EXHIBIT 9	PRECAST CATCH BASIN
EXHIBIT 10	TYPICAL UNDERGROUND UTILITY PLAN

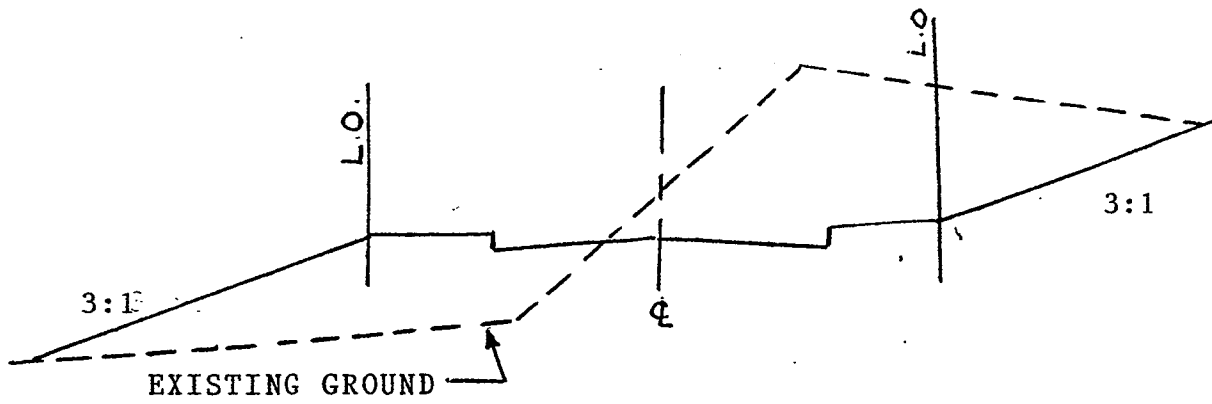


EXHIBIT 1 TYPICAL ROADWAY CROSS SECTION

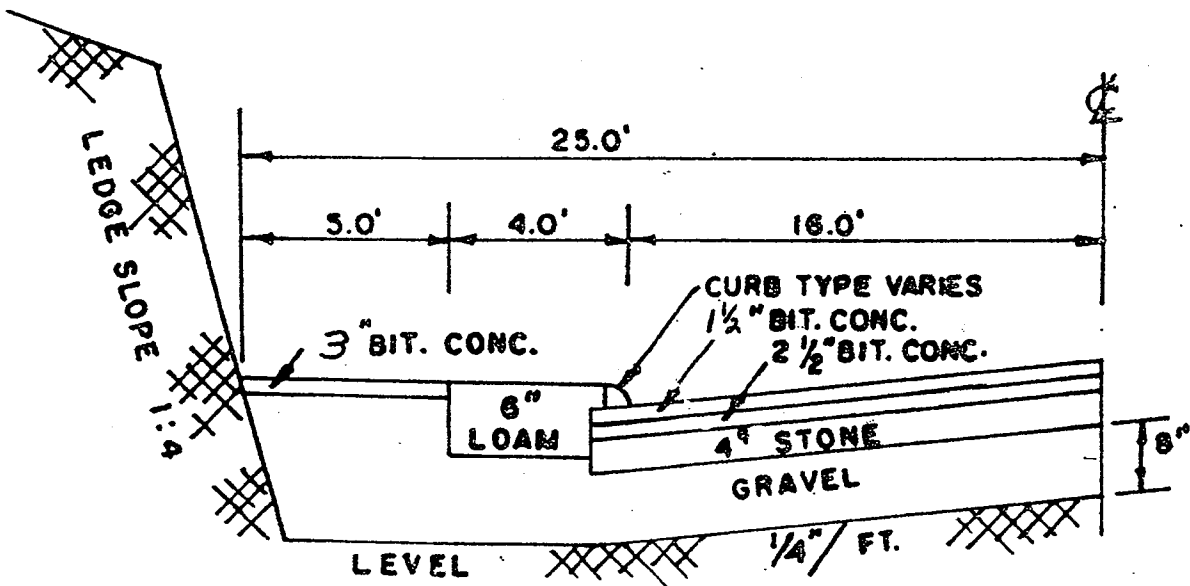


EXHIBIT 2 TYPICAL LEDGE CUT SECTION

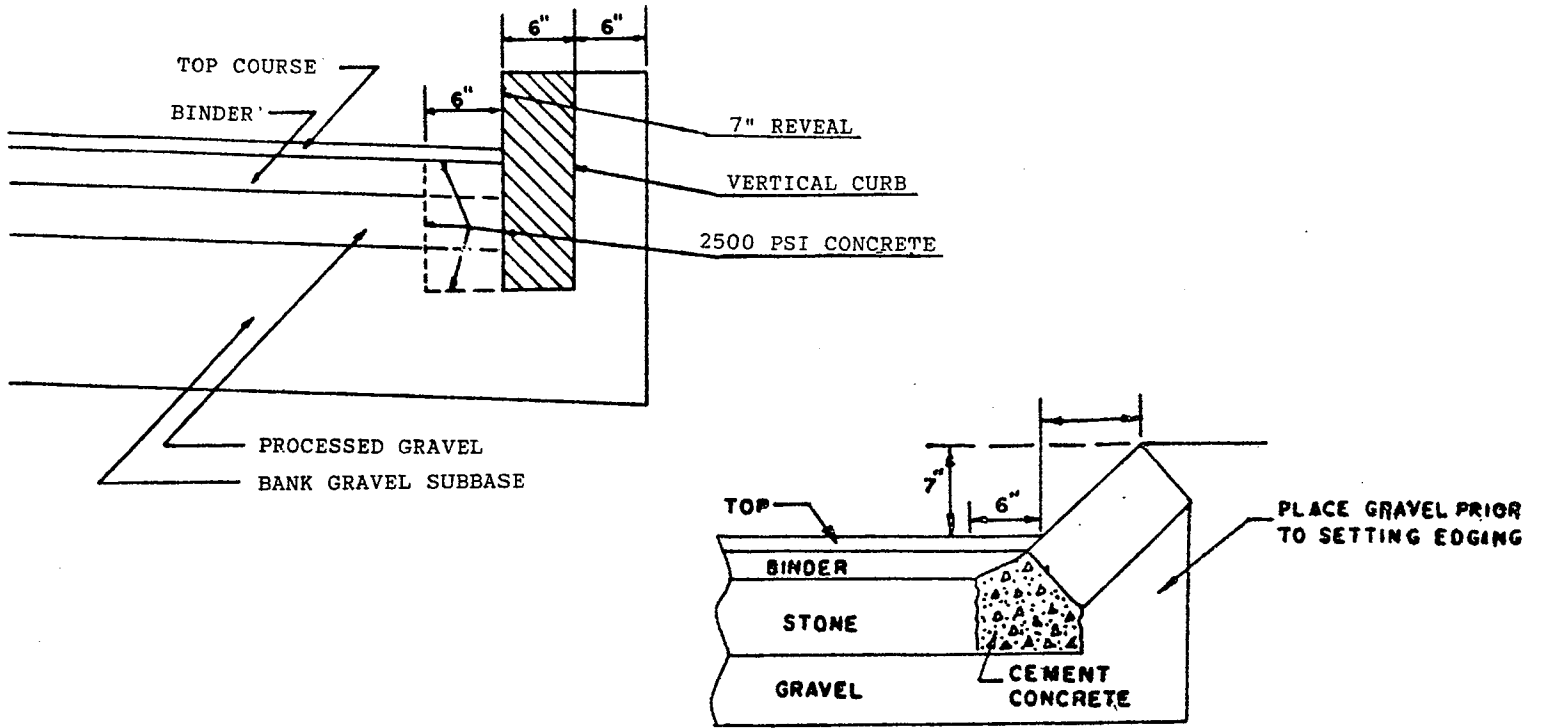


EXHIBIT 3 **SETTING GRANITE CURBING**

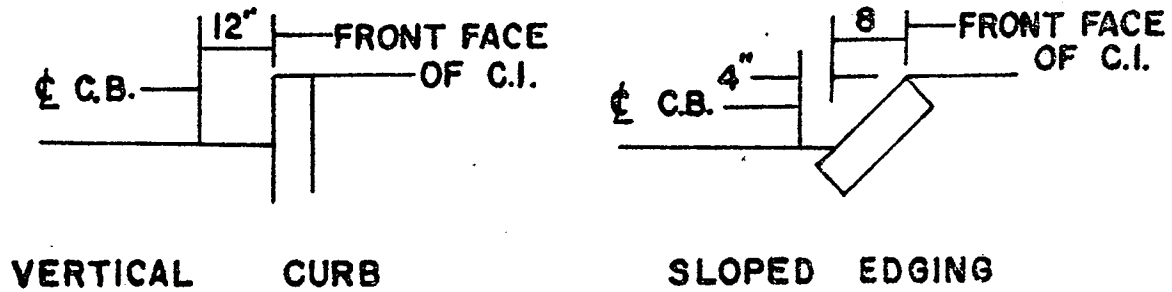


EXHIBIT 4 **SETTING GRANITE CURB INLET**

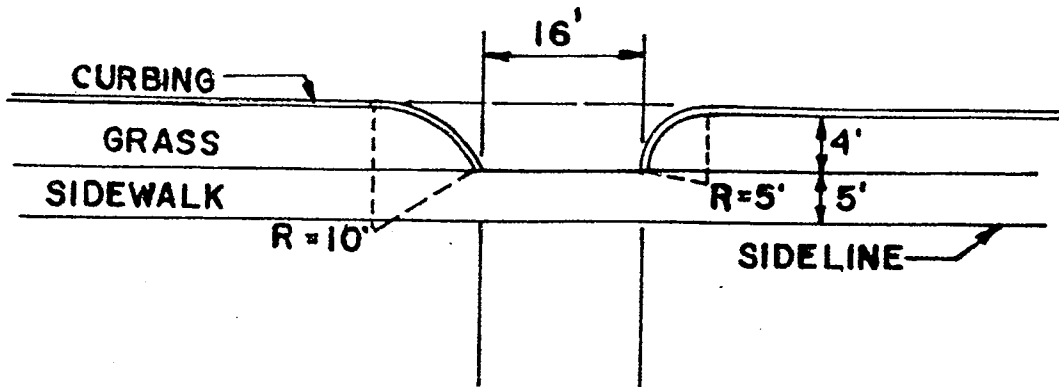


EXHIBIT 5 **DRIVEWAY/SIDEWALK DETAIL**

EXHIBIT 6 – REMOVED FEBRUARY 27, 2003

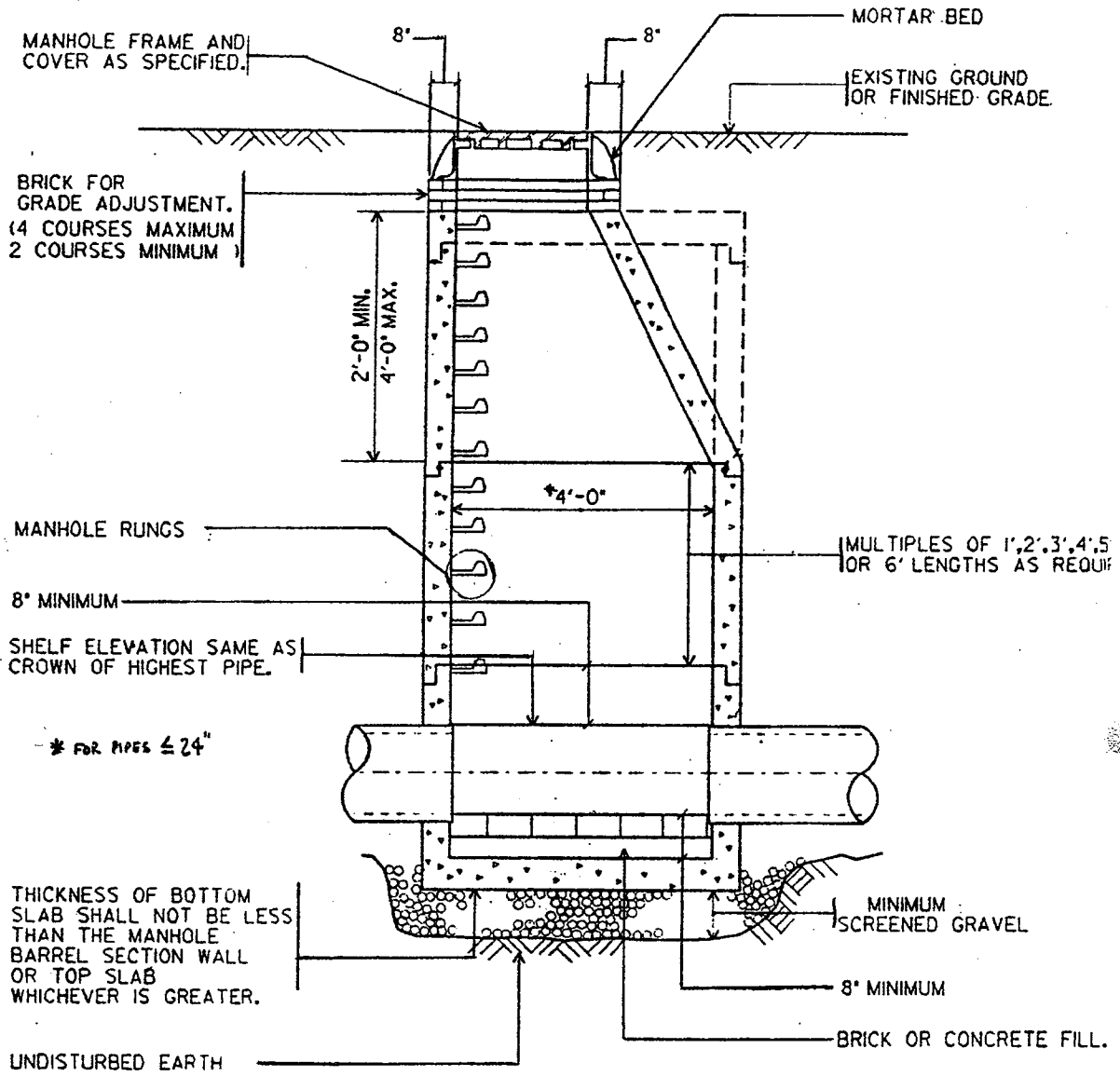


EXHIBIT 7

TYPICAL PIPE INSTALLATION IN MANHOLE

BRICK CHANNEL APPLIES
TO DROP CONNECTIONS
AS WELL AS CONVENTIONAL.

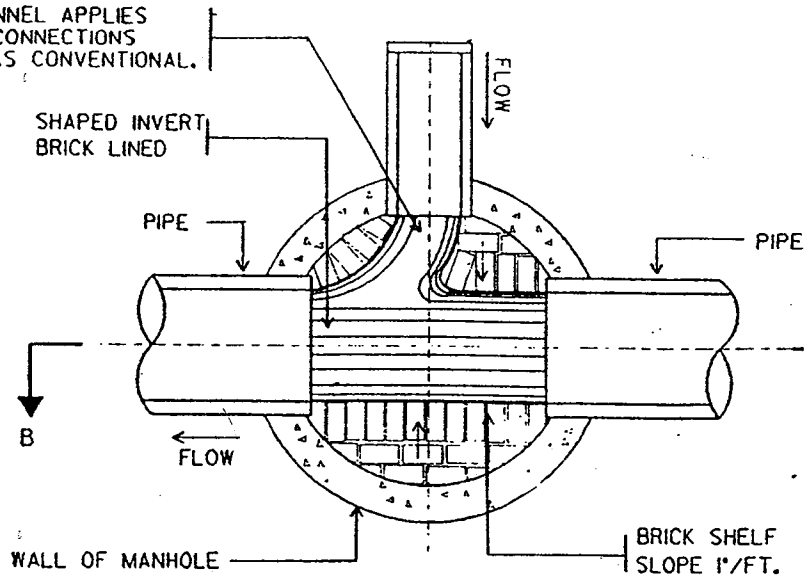
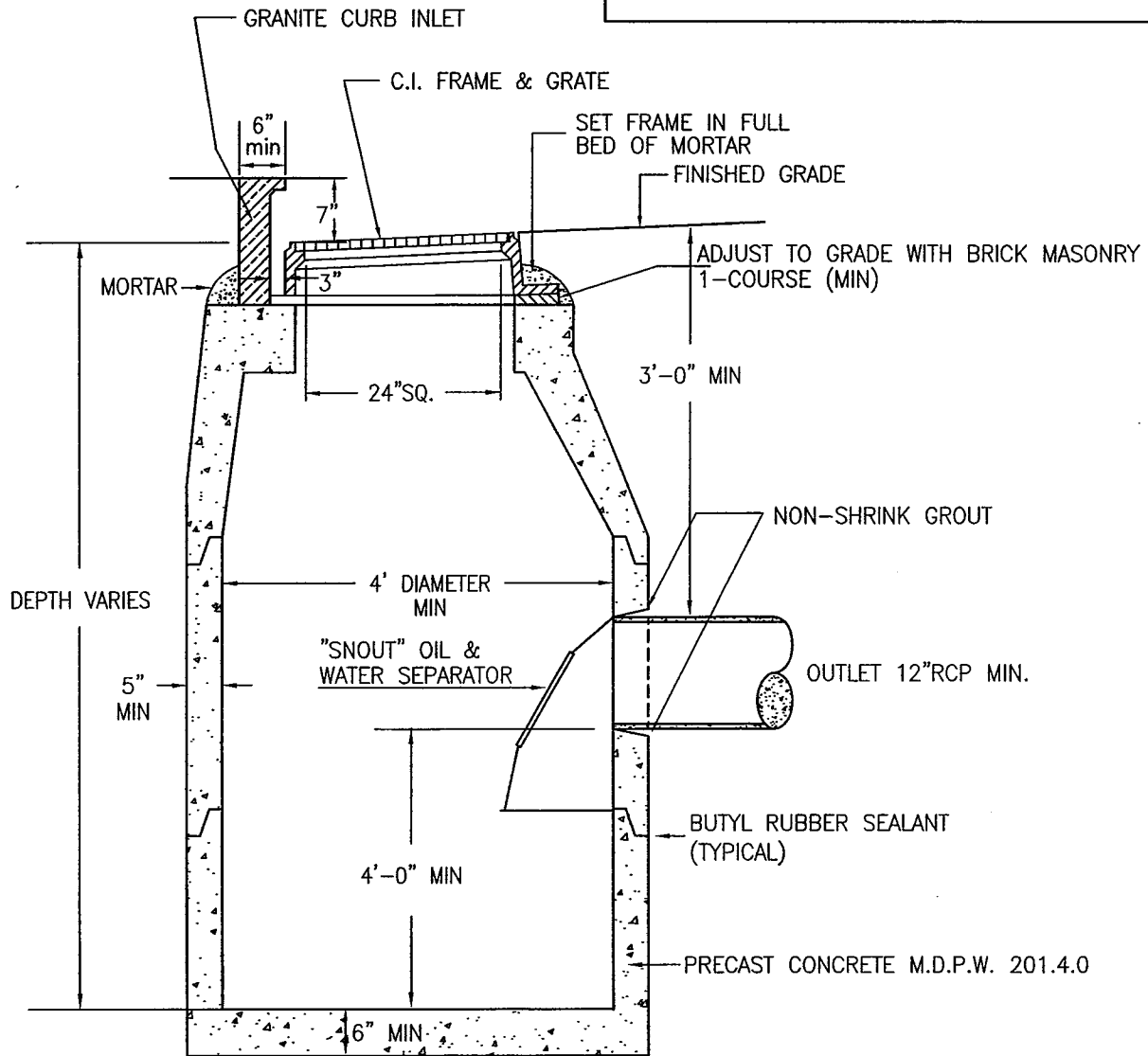
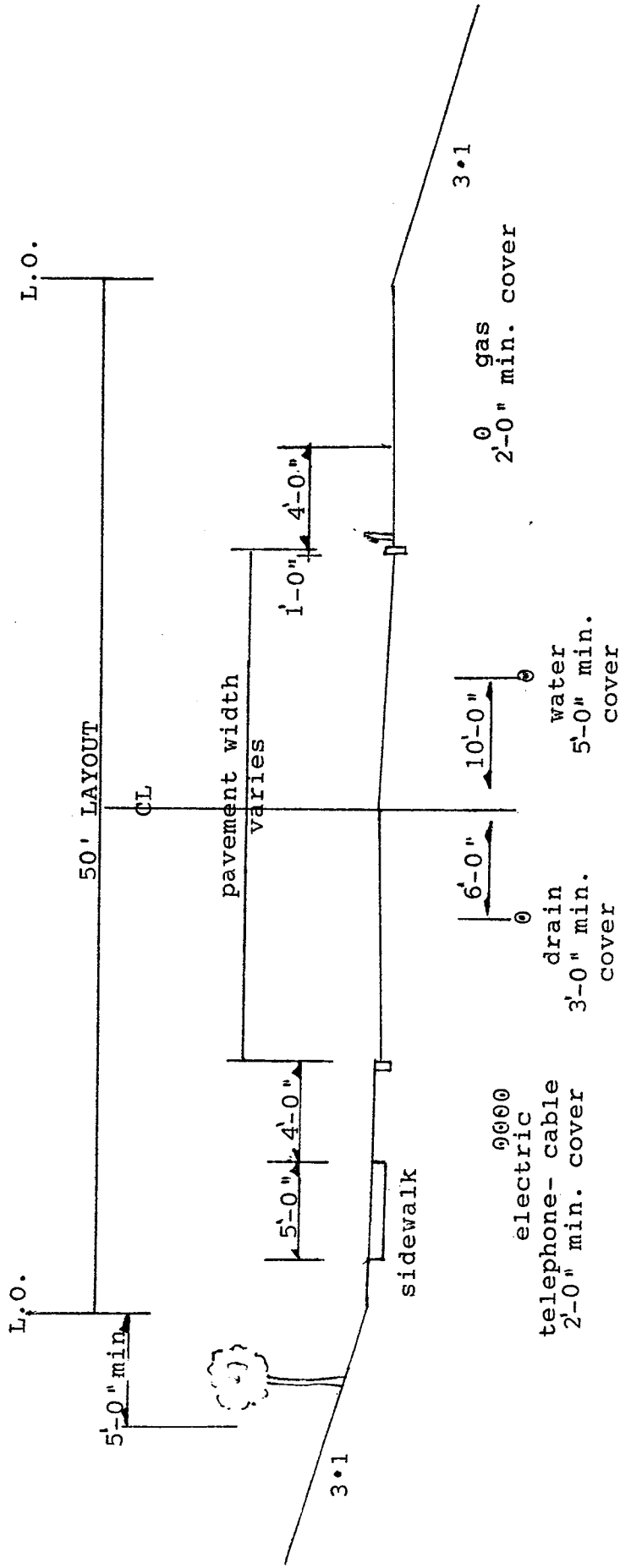


EXHIBIT 8

TYPICAL DRAIN MANHOLE

DETAIL OF FOXBOROUGH
PRECAST CATCH BASIN
EXHIBIT 9
NOT TO SCALE





(NO SCALE)

EXHIBIT 10 TYPICAL UNDERGROUND UTILITY PLAN