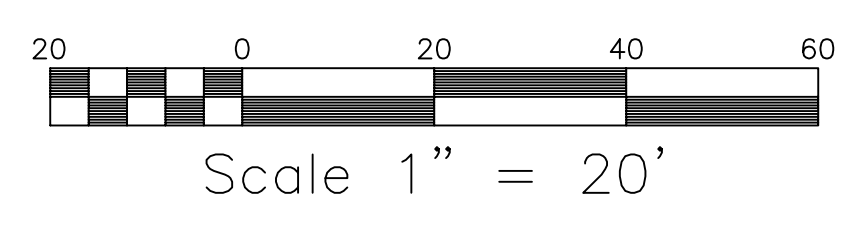
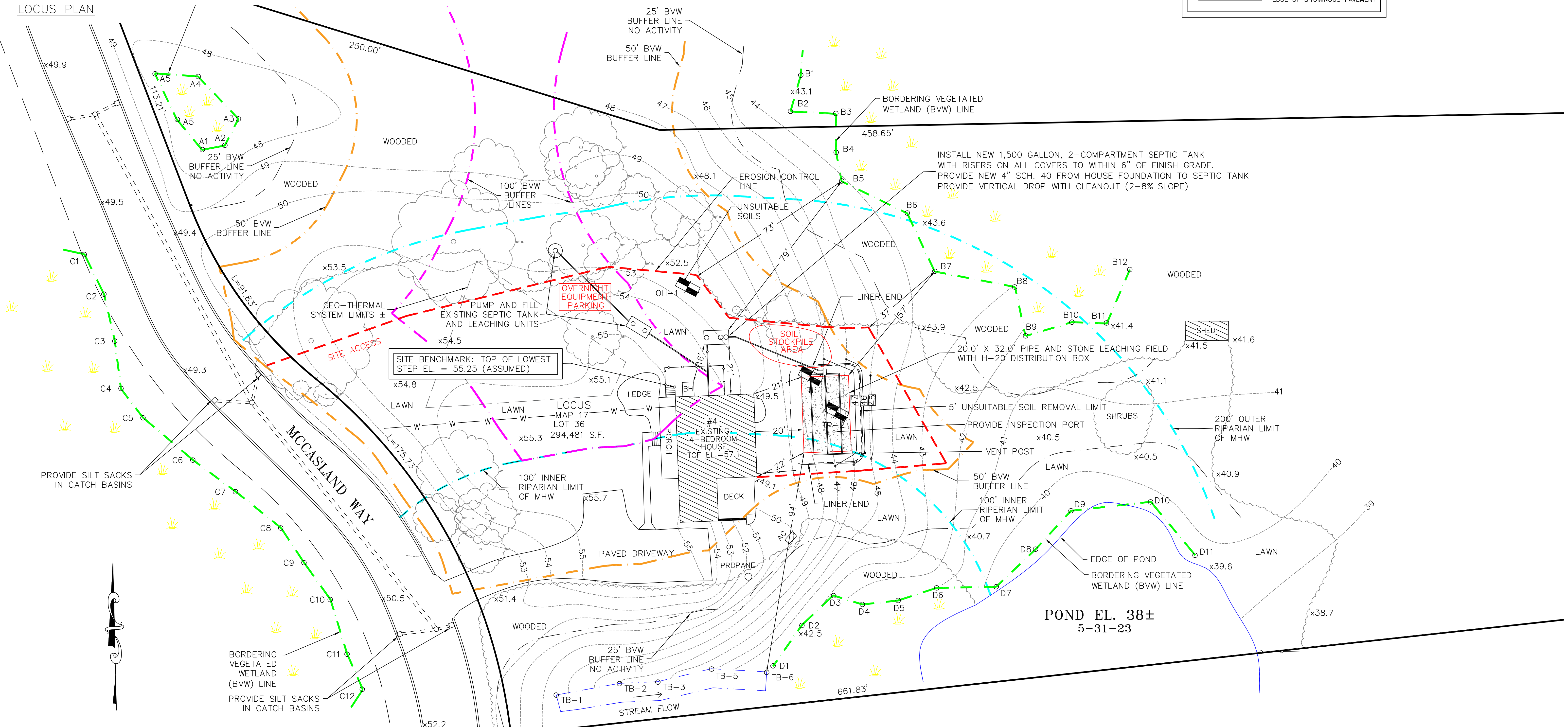


LOCUS PLAN

LEGEND

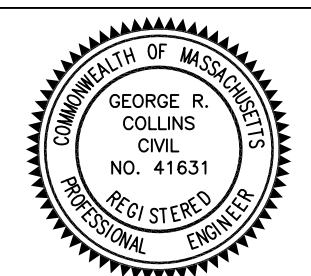
- 49 --- EXISTING CONTOURS
NOT TO SCALE
- [51] PROPOSED CONTOURS
- PROPERTY LINES
- TP-1 OBSERVATION HOLE LOCATION
- EDGE OF BITUMINOUS PAVEMENT



PLAN TO ACCOMPANY A CONSERVATION FILING

DRAWING TITLE		PLAN AND DETAILS SUBSURFACE SEWAGE DISPOSAL SYSTEM UPGRADE		SCALE: AS SHOWN	
PROJECT		4 MCCASLAND WAY FOXBORO, MA		DATE: 6-6-23	
CLIENT		JOHN SLOAN 508-212-9472 4 MCCASLAND WAY, FOXBORO 02035		DRAWN BY: P.J.L.	
DESIGNED BY:		P.J.L.		CHECKED BY: GRC	
APPROVED BY:		GRC		SHEET NO. 1 OF 2	
REV.		DATE		DESCRIPTION	
1	6-20-23	25' CON COM NO TOUCH, FILL INFO, EQUIP, PARKING	GRC	GRC	

COLLINS CIVIL ENGINEERING GROUP, INC.
 BRAintree - FALMOUTH - WEST BRIDGEWATER
 CIVIL ENGINEERING - LAND SURVEY - L.S.P. SERVICES
 225 SOUTH MAIN STREET, WEST BRIDGEWATER, MA 02379
 TEL: 508-580-2332 MOBILE: 617-347-1363 E-MAIL: GRCP@aol.com

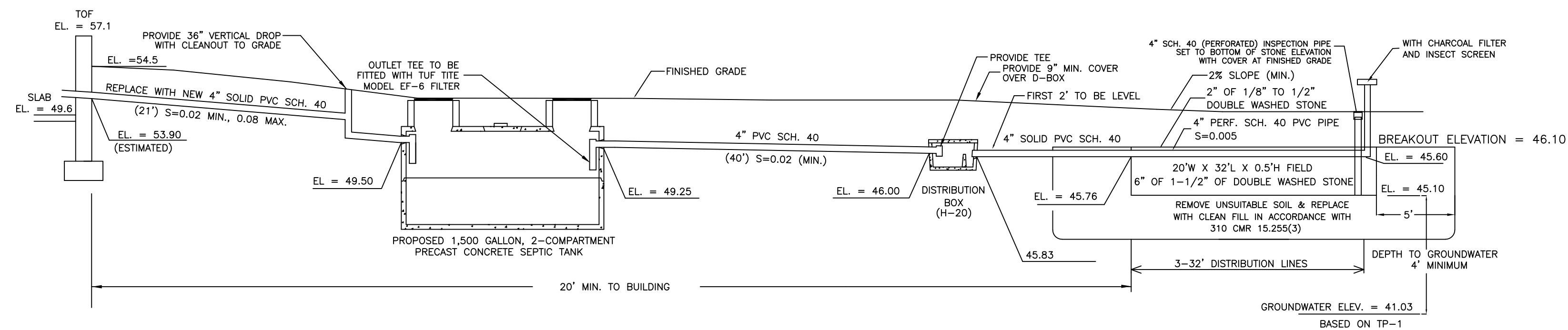


SHELLEY AND BRUCE ALEXANDER
 #24 MCKENZIE LANE
 MAP 25
 LOT 13

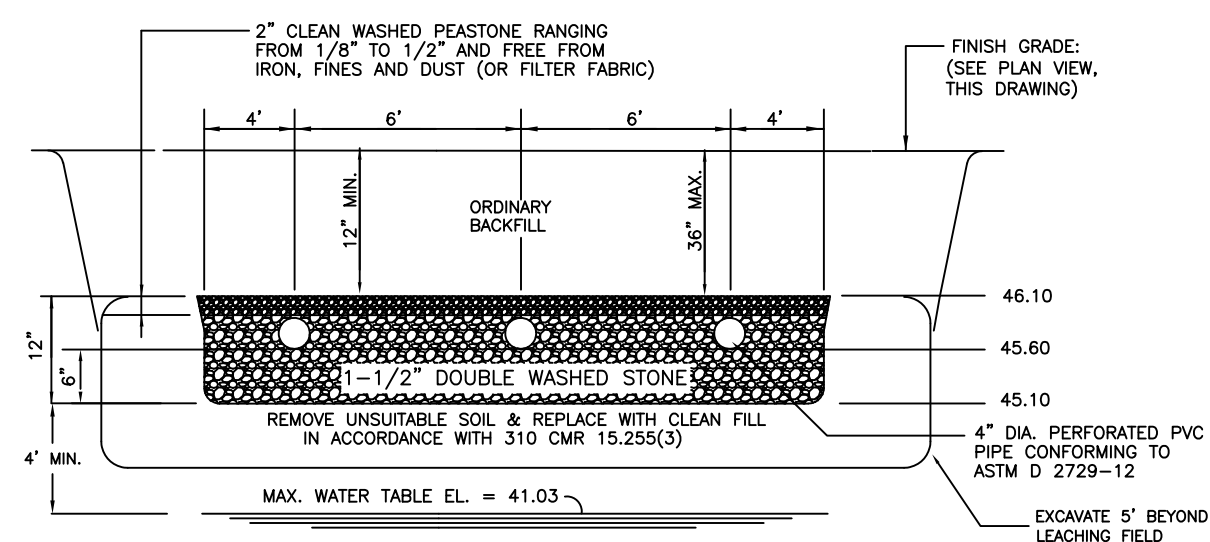
SITE BENCHMARK: TOP OF LOWEST
 STEP EL. = 55.25 (ASSUMED)

INSTALL NEW 1,500 GALLON, 2-COMPARTMENT SEPTIC TANK
 WITH RISERS ON ALL COVERS TO WITHIN 6" OF FINISH GRADE.
 PROVIDE NEW 4" SCH. 40 FROM HOUSE FOUNDATION TO SEPTIC TANK
 PROVIDE VERTICAL DROP WITH CLEANOUT (2-8% SLOPE)

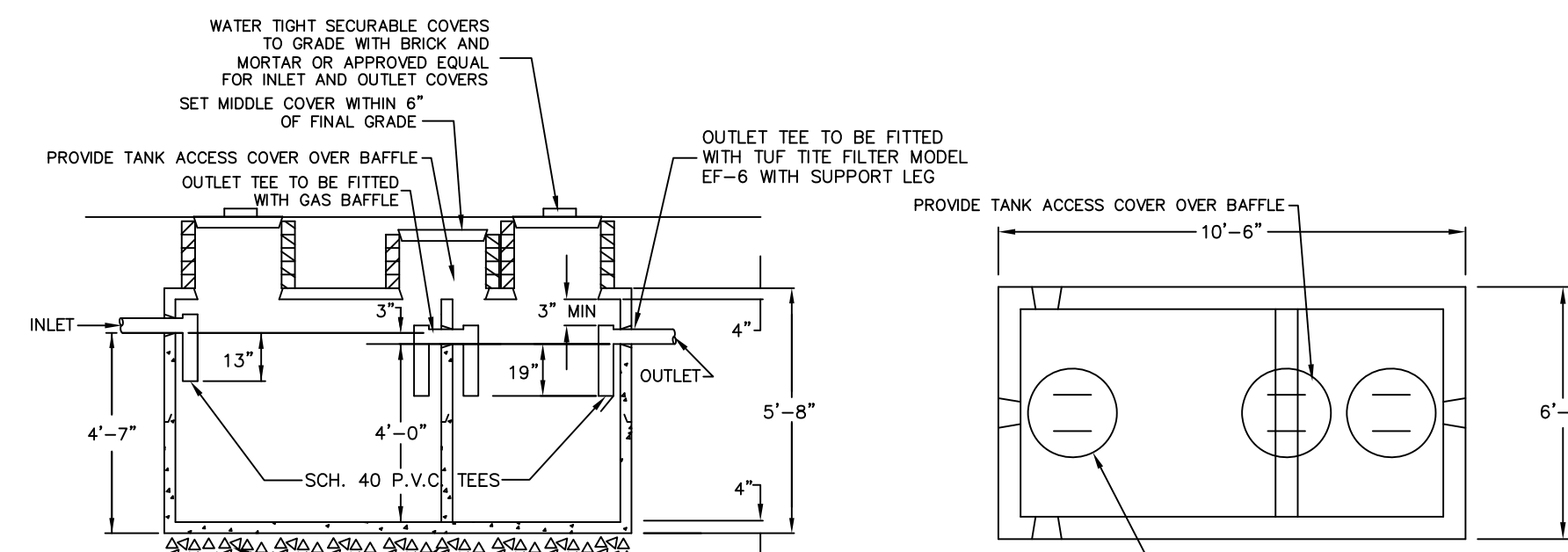
POND EL. 38±
 5-31-23



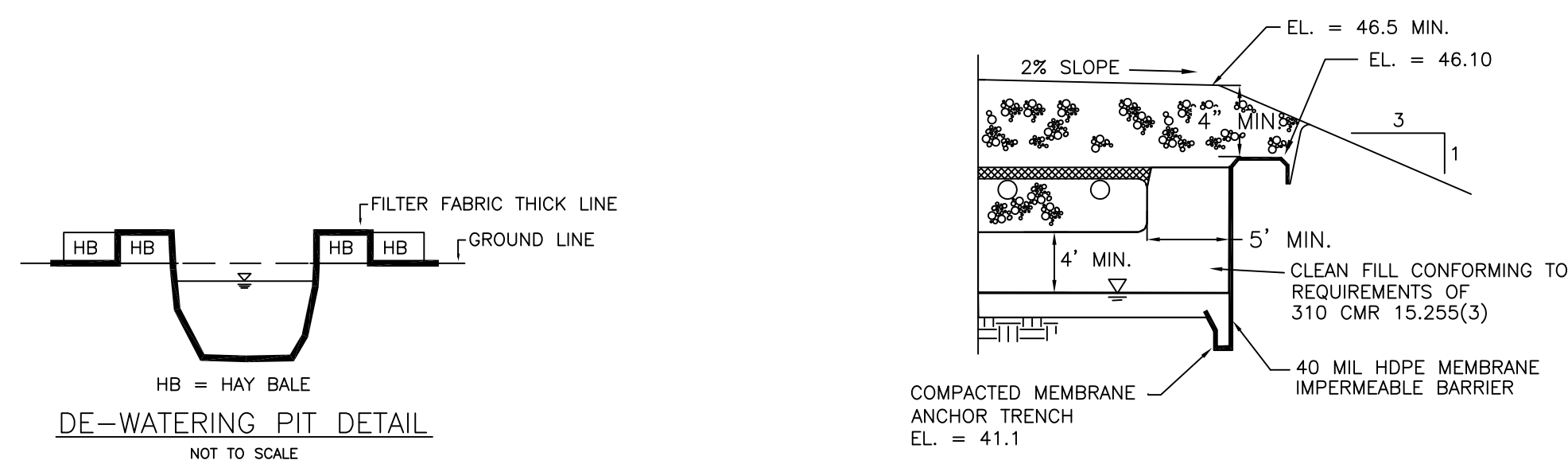
SEPTIC SYSTEM PROFILE
NOT TO SCALE



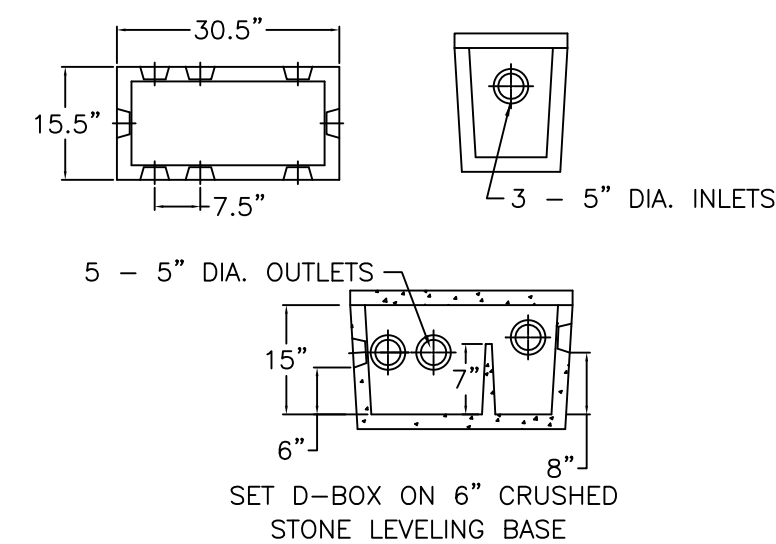
CROSS SECTION AT END OF LEACH FIELD
NOT TO SCALE



CROSS SECTION
1,500 GALLON 2-COMPARTMENT
PRECAST SEPTIC TANK
SEALCOATED
NOT TO SCALE

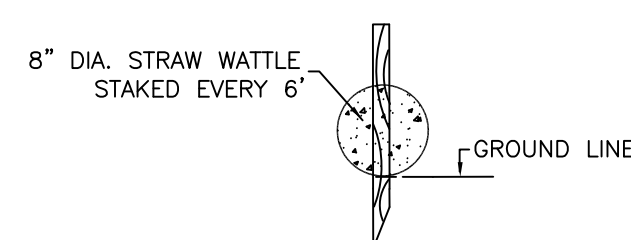


IMPERVIOUS BARRIER DETAIL
NOT TO SCALE



NOTE: DISTRIBUTION BOX SHALL COMPLY TO MINIMUM REQUIREMENTS OF 310 CMR 15.232.

DISTRIBUTION BOX (H-20)
NOT TO SCALE



STRAW WATTLE
EROSION CONTROL DETAILS
NOT TO SCALE

ELEVATION SCHEDULE:

DESCRIPTION	ELEVATION
4" INV. AT BUILDING (EXISTING)	53.90
4" INV. AT SEPTIC TANK (IN)	49.50
4" INV. AT SEPTIC TANK (OUT)	49.25
4" INV. AT DIST. BOX (IN)	46.00
4" INV. AT DIST. BOX (OUT)	45.83
4" INV. AT BEGINNING OF SAS	45.76
4" INV. AT END OF SAS	45.60
ELEVATION AT BOTTOM OF SAS	45.10
GROUNDWATER ELEVATION	41.03

BREAKOUT ELEVATION = 46.10

NOTES:

- THE CONTRACTOR SHALL NOTIFY THE LOCAL BOARD OF HEALTH AND COLLINS ENGINEERING GROUP AT LEAST 48 HOURS PRIOR TO REQUIRED INSPECTIONS.
- SITE BENCHMARK IS THE TOP CORNER OF LOWEST STEP, AS INDICATED ON THIS PLAN, EL = 55.25 (ASSUMED DATUM).
- HEAVY EQUIPMENT SHALL NOT BE ALLOWED TO OPERATE OVER THE LIMITS OF THE SEWAGE DISPOSAL FIELD DURING THE COURSE OF CONSTRUCTION OF THE SYSTEM.
- NO FIELD MODIFICATIONS TO THE SEWAGE SYSTEM SHALL BE MADE WITHOUT PRIOR WRITTEN APPROVAL OF THE ENGINEER AND THE LOCAL BOARD OF HEALTH.
- UNLESS OTHERWISE NOTED ALL SYSTEM COMPONENTS SHALL BE INSTALLED IN ACCORDANCE WITH TITLE V OF THE STATE ENVIRONMENTAL CODE DATED JANUARY 2014 AND ANY APPLICABLE LOCAL RULES.
- DISTRIBUTION BOX SHALL BE MANUFACTURED BY J&R PRECAST, INC. OR APPROVED EQUAL.
- GROUT TO BE USED AT ALL POINTS WHERE PIPES ENTER OR LEAVE ALL CONCRETE STRUCTURES IN ORDER TO PROVIDE A WATERTIGHT SEAL.
- THE FIRST TWO FEET OF EACH LINE EXITING THE DISTRIBUTION BOX SHALL BE LEVEL.
- THIS SYSTEM IS NOT DESIGNED TO ACCOMMODATE A GARBAGE GRINDER OR WATER FILTRATION SYSTEM BACKWASH.
- SYSTEM COMPONENTS TO WITHSTAND H-10 LOADING CRITERIA.
- PROPERTY LINE SHOWN IS APPROXIMATE ONLY AND IS NOT A RESULT OF A PROPERTY LINE SURVEY.
- THE CONTRACTOR SHALL DECOMMISSION (PUMP & FILL OR REMOVE) THE EXISTING SEPTIC SYSTEM AND ALL ASSOCIATED PIPING IN ACCORDANCE WITH 310 CMR 15.354.
- THERE ARE NO KNOWN SURFACE WATER SUPPLIES OR GRAVEL PACKED PUBLIC WELLS WITHIN 400 FEET, TUBULAR PUBLIC WELLS WITHIN 250 FEET, OR PRIVATE WELLS WITHIN 150 FEET OF THE PROPOSED SEPTIC SYSTEM.
- ALL AREAS DISTURBED DURING CONSTRUCTION SHALL BE RESTORED (LOAM AND SEED) TO INCLUDE HISTORIC TEST PITS OUTSIDE CONSTRUCTION LIMITS.
- CONTRACTOR WILL BE RESPONSIBLE FOR OBTAINING ANY APPLICABLE PERMITS.
- CONTRACTOR WILL BE RESPONSIBLE FOR CONTACTING DIG SAFE (888-DIGSAFE) AND ANY OTHER APPLICABLE UTILITY COMPANIES PRIOR TO STARTING WORK.
- UNDERGROUND UTILITY LOCATIONS SHOWN ARE APPROXIMATE ONLY.
- CONTRACTOR WILL BE RESPONSIBLE FOR COMBINING LAUNDRY FLOW WITH SYSTEM.
- CONTRACTOR RESPONSIBLE FOR IMPLEMENTING ALL O.S.H.A. PROCEDURES TO INCLUDE BUT NOT LIMITED TO CONFINED SPACE ENTRY PROCEDURES.
- CONTRACTOR RESPONSIBLE FOR CONFIRMING LOCATION OF EXISTING LEACHING FACILITY.
- CONTRACTOR TO CONFIRM EXISTING PLUMBING, BENCHMARK, AND SILL ELEVATIONS PRIOR TO CONSTRUCTION.
- MAGNETIC LOCATOR TAPE TO BE PLACED ON ALL SEPTIC SYSTEM COMPONENTS.
- USE APPROVED PLAN STAMPED BY BOARD OF HEALTH FOR CONSTRUCTION.

DESIGN DATA:

DESIGN FLOW:
4 BEDROOMS x 110 GPD/BEDROOM = 440 GPD

SEPTIC TANK:
440 GPD x 2.0 = 880 GALLONS
USE NEW 1,500 GALLON, 2-COMPARTMENT SEPTIC TANK

SOIL ABSORPTION SYSTEM:
PERCOLATION RATE = 3 MIN./INCH (CLASS I SOIL)
DESIGN LOADING RATE = 0.74 GPD/SF
LEACHING AREA REQ'D = 595 SF
(440 GPD) / 0.74 GPD/SF

USE: 20' X 32' LEACHING FIELD CONFIGURATION
LEACHING AREA PROVIDED:
20' X 32' = 640 SF > 595 SF REQUIRED

DAILY FLOW CAPACITY:
640 SF X 0.74 GPD/SF = 473 GPD > 440 GPD REQUIRED

SOIL DATA:

DATE: JUNE 1, 2023
PERFORMED BY: GEORGE R. COLLINS, P.E., COLLINS CIVIL ENGINEERING GROUP, INC.
WITNESSED BY: KEVIN DUQUETTE, BOH

SOIL HORIZ.	SOIL COLOR	TP-1	DEPTH	ELEV.	SOIL HORIZ.	SOIL COLOR	TP-2	DEPTH	ELEV.
			0	47.20				0	46.50
Bw	10YR 5/6	FILL/A	8"		Bw	10YR 5/6	FILL/A	10"	
		22" BOTTOM OF PERC HOLE	34"				LOAMY F. SAND	32"	
		54" BOTTOM OF PERC HOLE	78"	41.03			M-C SAND	70"	40.67
		C1	2.5Y 6/3				M-C SAND	76"	
		C2	2.5Y 6/3				SILT LOAM (COMPACT)	104"	37.83
			100"	38.87					

EST. SEASONAL HIGH GROUNDWATER ELEV. = 41.03
DESIGN PERC RATE = 3 MIN. PER INCH

NOTE: LAYERS FILL/A, AND Bw, TO BE REMOVED TO A DEPTH OF 24" BELOW GRADE AND REPLACED WITH CLEAN FILL IN ACCORDANCE WITH 310 CMR 15.255(3). UNSUITABLE SOIL TO BE REMOVED TO A DISTANCE OF 5'-0" BEYOND THE LIMITS OF THE SOIL ABSORPTION SYSTEM.

WETLAND AND SEDIMENTATION CONTROL NOTES

- WETLAND DELINEATION PERFORMED BY BROOKE MONROE, BOTANIST.
- SEDIMENTATION CONTROL (WORK LIMIT) LINE TO BE INSTALLED PRIOR TO ANY ACTIVITY AND REMAIN IN PLACE UNTIL ALL DISTURBED AREAS HAVE BEEN STABILIZED.
- CONTRACTOR RESPONSIBLE FOR IMPLEMENTING ALL CONSERVATION COMMISSION AND BOARD OF HEALTH DIRECTIVES.
- THE SITE IS NOT LOCATED IN AN ACEC (AREA OF CRITICAL ENVIRONMENTAL CONCERN).
- CONTRACTOR TO SWEEP STREET AT THE END OF EACH WORK DAY.
- THE DEP FILE NUMBER MUST BE POSTED ON SITE PRIOR TO STARTING WORK.
- A COPY OF THE REGISTRY RECORDED ORDER OF CONDITIONS MUST BE ON SITE AT ALL TIME DURING WORK.
- THE NAME AND CONTACT NUMBERS OF THE GENERAL CONTRACTOR MUST BE PROVIDED TO THE ENGINEER AND CONSERVATION COMMISSION PRIOR TO STARTING WORK.
- CONTRACTOR TO MONITOR, REPAIR AND MODIFY SEDIMENTATION CONTROL TO ASSURE THAT THERE IS NO WETLAND RESOURCE AREA OR ABUTTER ENCROACHMENT.
- AREA TO BE FILLED OVER LEACHING FIELD 25 CUBIC YARDS 2' MAXIMUM DEPTH.

PLAN TO ACCOMPANY A CONSERVATION FILING

REV.	DATE	DESCRIPTION	BY	APP.	DRAWING TITLE	SCALE:	CHECKED BY:	SHEET NO.
					PLAN AND DETAILS SUBSURFACE SEWAGE DISPOSAL SYSTEM UPGRADE	AS SHOWN	GRC	2 OF 2
					PROJECT 4 MCCASLAND WAY FOXBORO, MA	DATE: 6-6-23		
					CLIENT JOHN SLOAN 508-212-9472 4 MCCASLAND WAY, FOXBORO 02035	DRAWN BY: P.J.L.		
					COLLINS CIVIL ENGINEERING GROUP, INC. BRAintree - FALMOUTH - WEST BRIDGEWATER CIVIL ENGINEERING - LAND SURVEY - L.S.P. SERVICES 225 SOUTH MAIN STREET, WEST BRIDGEWATER, MA 02379 TEL: 508-580-2332 MOBILE: 617-347-1363 E-MAIL: GRCP@AOL.COM	DESIGNED BY: P.J.L.		
						CHECKED BY: GRC		
						APPROVED BY: GRC		

